

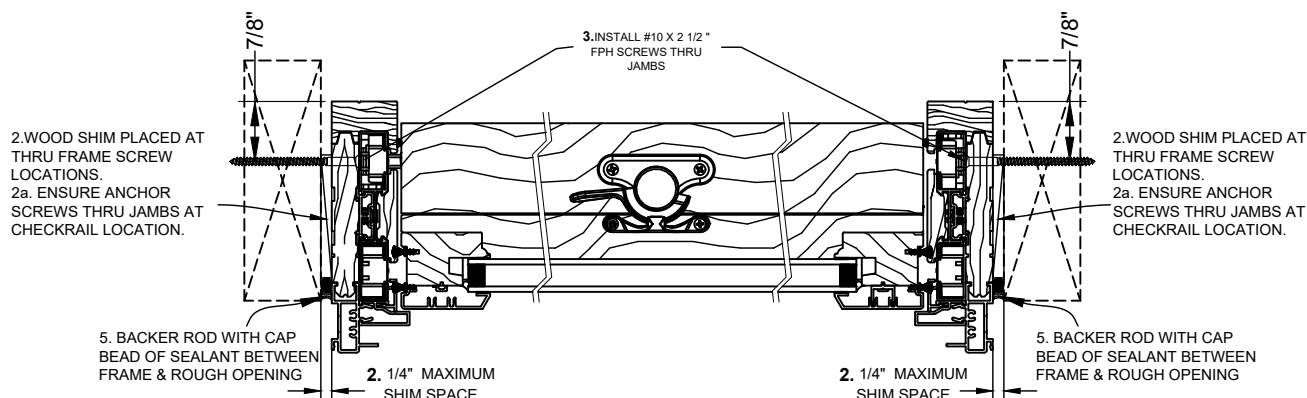
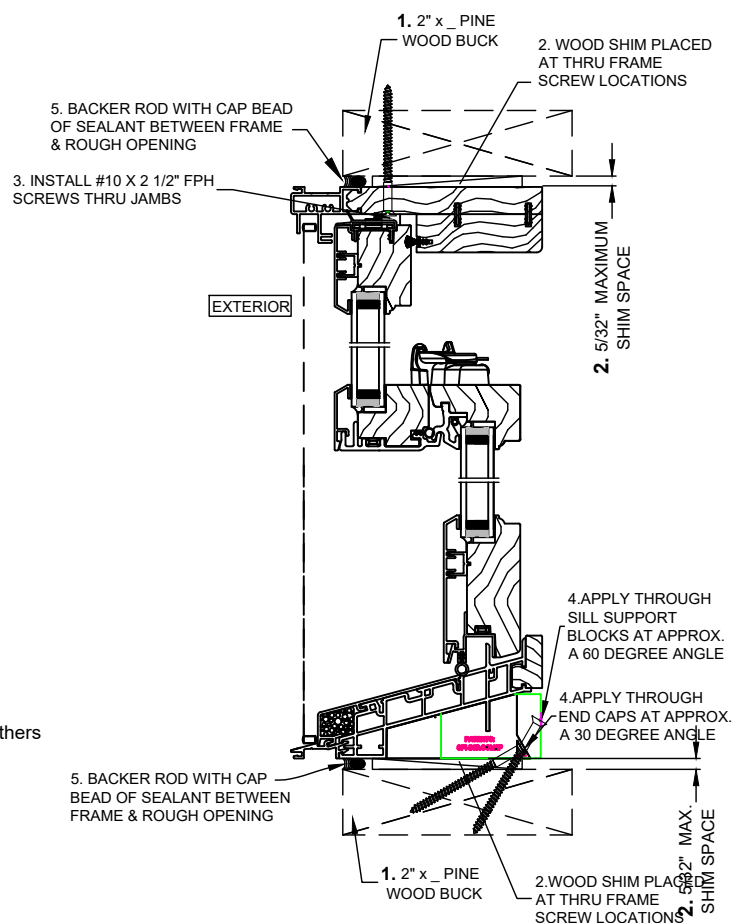
# Westchester Operating Double Hung - Thru Frame Installation Guidelines

## INSTALLATION NOTES:

1. USE 2" x \_ WOOD BUCK
2. 1/4" MAXIMUM SHIM SPACE AT HEAD, SILL, JAMBS. PLACE WOOD SHIMS AT POINTS OF THRU FRAME SCREW ANCHORING.
3. LOWER TOP SASH AND PRE-DRILL  $\frac{7}{32}$ " PILOT HOLE 6" FROM CORNERS AND ONE MID-SPAN AT THE HEAD WITH THE SIDE JAMB SPACING 152MM (6") FROM EACH CORNER AND 381MM (15") ON CENTER. INSTALL #10 X 2 1/2" PPH SCREWS THRU-FRAME WITH A MINIMUM OF 1" FASTENER EMBEDMENT INTO FRAMING MATERIAL.
4. ON THE SILL PRE-DRILL HOLES USING  $\frac{7}{32}$ " BIT, FILL WITH SEALANT, INSTALL #8 X 3" FPH SCREW THRU THE WOOD SUPPORT BLOCK TO THE BUCK (6") FROM EACH CORNER AND ONE MID-SPAN. WITH A MINIMUM OF 1" FASTENER EMBEDMENT INTO FRAMING MATERIAL AND THEN BUTTER OVER SCREW HEAD WITH SEALANT.
5. APPLY BACKER ROD WITH A CONTINUOUS BEAD OF SEALANT BETWEEN THE FRAME AND ROUGH OPENING, ON ALL FOUR SIDES.

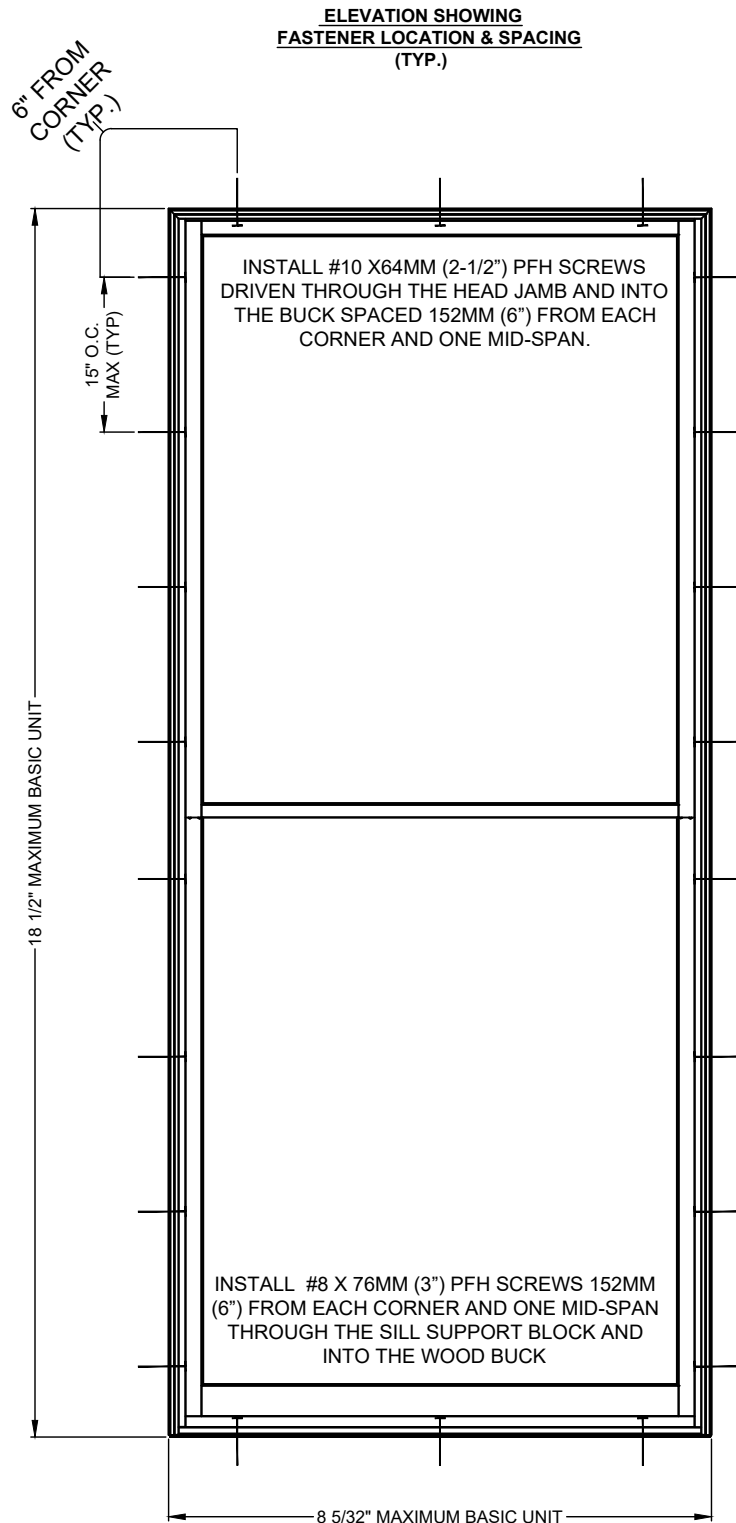
## GENERAL INSTALLATION NOTES:

- Check rough opening for proper size, plumb, level and square.
- Make all necessary adjustments to ensure rough opening is plumb, level & square.
- Sill must be flat, level and capable of supporting the weight of the unit.
- Opening should allow a maximum of 1/4" shim space at head, sill and each jamb.
- Consult full installation instructions found on the Sierra Pacific web site, [www.sierrapacificwindows.com](http://www.sierrapacificwindows.com), for all recommended installation procedures.
- Wood buck, framing, fasteners, sealant and all wall system materials are provided by others



Installation requirements may vary in particular locations and in other types of construction. Proper installation is essential, and Sierra Pacific Windows, recommends consultation with an AAMA Certified Installer, or other qualified, registered building professional before installation of any Sierra Pacific product. Proper installation of Sierra Pacific products is the responsibility of the installer. Sierra Pacific is not responsible for the design of, conditions in, or performance of building construction beyond the perimeters of the Sierra Pacific units. Sierra Pacific is not responsible for proper integration of the Sierra Pacific units with the weather-repellent systems of the building.

# Westchester Double Hung - Thru Frame Installation Guidelines



Installation requirements may vary in particular locations and in other types of construction. Proper installation is essential, and Sierra Pacific Windows, recommends consultation with an AAMA Certified Installer, or other qualified, registered building professional before installation of any Sierra Pacific product. Proper installation of Sierra Pacific products is the responsibility of the installer. Sierra Pacific is not responsible for proper installation. Sierra Pacific is not responsible for the design of, conditions in, or performance of building construction beyond the perimeters of the Sierra Pacific units. Sierra Pacific is not responsible for proper integration of the Sierra Pacific units with the weather-repellent systems of the building.

