



Aluminum Clad Wood, All-Wood Swinging Patio Door Installation Guidelines

See applicable installation instructions for FeelSafe™ patio doors.

Sierra Pacific Windows recommends utilizing an InstallationMasters™ Certified Installer or an experienced professional contractor who practices InstallationMasters installation methods to provide for proper operation and a weather tight seal. Contact your Sierra Pacific Distributor for further information on locating an InstallationMasters Installer. The installation procedures provided below are general guidelines for standard wood frame construction; other methods can be utilized at the discretion of the architect or installer to provide a weather tight installation. Sierra Pacific is not responsible for the completeness or quality of installation.

Nailing fins DO NOT take the place of standard window and door flashing. Door units must be properly flashed to provide a weather tight seal.

Failure to adequately install and properly maintain will void any warranty; written or implied. The Installer is responsible for proper installation guidelines in accordance with any local / state applicable codes and / or ordinances.

Check size (width and height), plumb, and squareness of the rough opening. Remove all packaging materials and installation accessories from the door units and inspect for damage or shortages. Immediately inform your distributor of any damage or shortages. **SWING DOOR UNITS MUST REMAIN CLOSED DURING INSTALLATION.**

The following guidelines are required for proper installation and for the unit to meet advertised designed pressure (DP) ratings.

NOTE: Due to the variety of finished floor material heights, it may be necessary to compensate for the additional height by adding an appropriate amount of thickness to the sill rough opening. Be sure to add this additional dimension to the rough opening height.

Independent laboratory certified products. The unit testing results reflected here are under laboratory conditions. The results from these tests may not be duplicated in actual situations due to environmental conditions or installation differences.

CONFORMANCE: Sierra Pacific windows conform to ANSI/AAMA/WDMA industry standards 01/1.S.2/A440-08 and wood components are water repellent preservative treated in accordance to industry I.S.4-94. Sierra Pacific Windows products meet FHA, S.B.C.C.I., S.F.B.C., S.F.B.C., Broward Edition, and where the pressure requirements as determined by ASCE 7 minimum design loads for buildings and other structures does not exceed design pressure ratings as independently tested and certified.

Sierra Pacific Windows
575 South Whelen Avenue, Medford, WI 54451
Phone: 1-800-223-4873 Fax: 715-748-6043

ALUMINUM CLAD AND ALL-WOOD INSWING AND OUTSWING DOORS

- A: At the sill apply 3 beads of silicone at the inner most middle and outer part of the sill.
C: Install sill paning if being utilized.
B: Apply a continuous 3/8" diameter bead of compatible sealant to the perimeter of the rough opening. Be sure to align it with the pre-punched slots in the nailing fin. Wood units will require applying the sealant to the backside surface of the side and head brickmoulds.
D: Immediately set the unit into the center of the rough opening.
E: Shim jambs and head as needed to square the unit into the rough opening.
F: On Aluminum Clad Units, fasten the upper right hand corner through the pre-punched slot of the nailing fin using a non-corrosive nail or screw long enough to penetrate a minimum of 1" into the rough opening framing members.
F(a): Wood Exterior Units, Fasten the upper right hand corner of the side brickmould using a non-corrosive casing nail long enough to penetrate 1" into the rough opening framing members.
G: Check the unit for square, level, true and plumb. Shim as necessary.
H: On Aluminum Clad Units, Fasten through a pre-punched slot of the nailing fin in the lower left hand corner diagonally opposite the first fastener.
H(a): On Wood Exterior Units, Fasten the lower left corner of the side brickmould diagonally opposite the first fastener.
I: Re-check the unit for square, level, true and plumb.
J: On Aluminum Clad Units, Fasten through each pre-punched slot of the sides and top nailing fin. NOTE: On Dual operating French Doors, do not fasten the head jamb at this time. Go to Step (K).
J(a): On Wood Exterior Units, Fasten the side and head brickmould every 6-8". NOTE: On Dual operating French Doors, do not fasten the head brickmould at this time. Go to step (K)
K: On Dual Operating French Doors, open both panels and replace one screw of the head strike plate with a 3" screw and secure through the head jamb into the frame of the rough opening. NOTE: Be sure to shim between the door frame at the head strike location and the rough opening keeping the jamb straight. Close and lock both panels and repeat steps (J) and (Ja) to secure the head jambs on the exterior.
L: On Aluminum Clad Units, Apply compatible sealant over the top of the nailing fin fasteners and pre-punched slot locations, tooling smooth for a proper seal.
M: On Aluminum Clad Units, Apply a generous amount of sealant into the upper left and right corner between the rough opening and the door unit to fill any voids and tool smooth.
N: On Aluminum Clad Units, apply compatible sealant around the perimeter of the unit where the nailing fin meets the exterior frame of the door and tool smooth.
O: Apply the self adhesive corner pads. (See instructions on back of the corner pads)

COMPLETING THE INSTALLATION FOR ALUMINUM CLAD AND ALL-WOOD SWINGING DOORS:

- A: Doors hinged on a side jamb, require the hinge jamb to be secured to the rough opening. Starting with the top hinge and working your way down to the other hinges, **Detail A** install one 3" (Inswing Doors) or 2 1/2" (Outswing Doors) screw (Provided in a separate screw packet) in the open screw hole of the hinge leaf into the rough opening framing. Do Not Tighten. Insert shims between the door jamb and the rough opening and tighten the 2 1/2" or 3" hinge leaf screw being careful not to bow out the jamb. Repeat securing the lower hinge locations with screws and shims keeping the jamb straight. Adjust screws and shims until the door frame to panel reveal is the same from the top to bottom.
B: For doors with latch strike plates located on a door jamb, replace one screw of the center latch and deadbolt plate with a 3" screw and secure through the jamb into the frame of the rough opening, NOTE: Be sure to shim between the door frame at the latch and deadbolt location and the rough opening keeping the jamb straight.
C: Install the Trim and Handle hardware. (See instructions provided with the Trim and Handle package if provided)
D: Check the unit for proper operation
E: Adjust inswing hinges as necessary. (See instructions and wrenches provided in a separate packet provided with the door) NOTE: Adjustable hinges are not intended to compensate for an improperly installed unit.
F: INSULATE: To avoid distortion of the frame, loosely pack with fiberglass insulation around the interior perimeter of the door frame and the rough opening. (Note: Low/Minimal expanding foam designed for door installation, may be used, care must be taken not to distort the frame.)
G: Wood Exterior Units require all nails to be set below the wood surface and the nail holes and any open joints be filled with a quality exterior wood filler. Apply a quality exterior prime and paint.
H: Allow a 3/8" gap between the door frame and the finished exterior finish (Siding, Masonry/Stucco) materials of the building. Seal this gap with a proper sized backer rod and compatible sealant along the sides and sill. (Note: Do not seal the gap between the head drip cap and exterior finish to allow for proper drainage.)

ADDITIONAL NOTES:

DRIP CAP is recommended above all doors.
DOOR UNITS REQUIRE THE BOTTOM FRAME (SILL) INTERIOR AND EXTERIOR WEEP HOLES BE OPEN FOR PROPER DRAINAGE.

WARNING: DOORS COVERED DURING CONSTRUCTION MUST BE PROPERLY VENTILATED TO PREVENT GLASS BREAKAGE OR VINYL COMPONENTS DISTORTION.

CAUTION: DO NOT PAINT OR STAIN ANY VINYL COMPONENTS, HARDWARE OR WEATHERSTRIP. ALL EXPOSED WOOD SURFACES MUST BE FINISHED AND SEALED WITHIN 30 DAYS OF RECEIPT OF DOORS.

CONTACT your Sierra Pacific Distributor for a copy of the *Care and Maintenance Guide* for general product information and maintenance.

Detail A

Door Hinge Anchor Screws

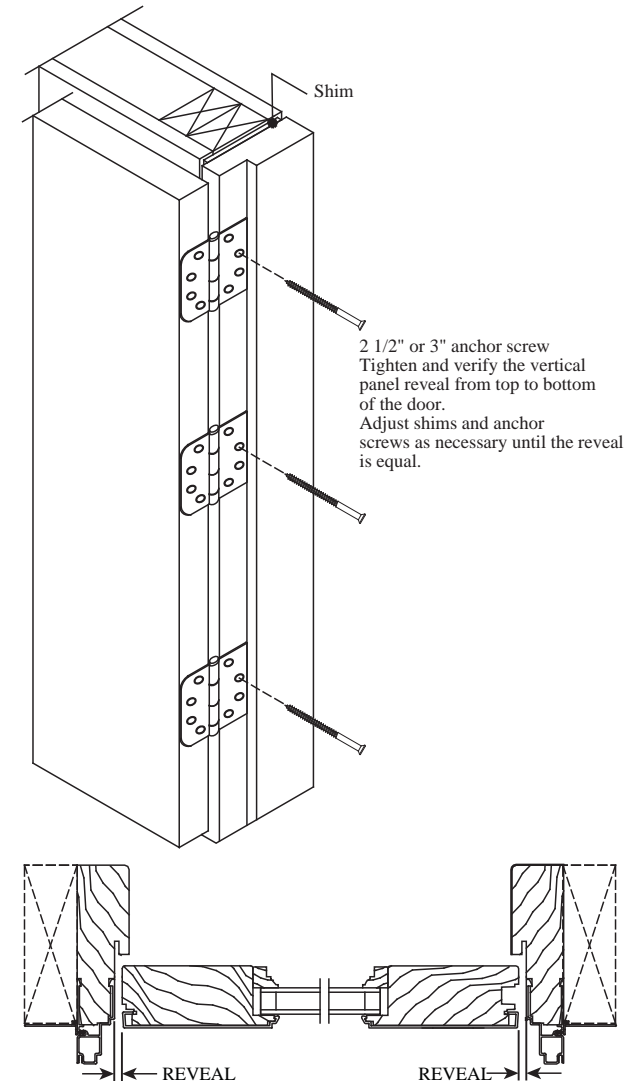
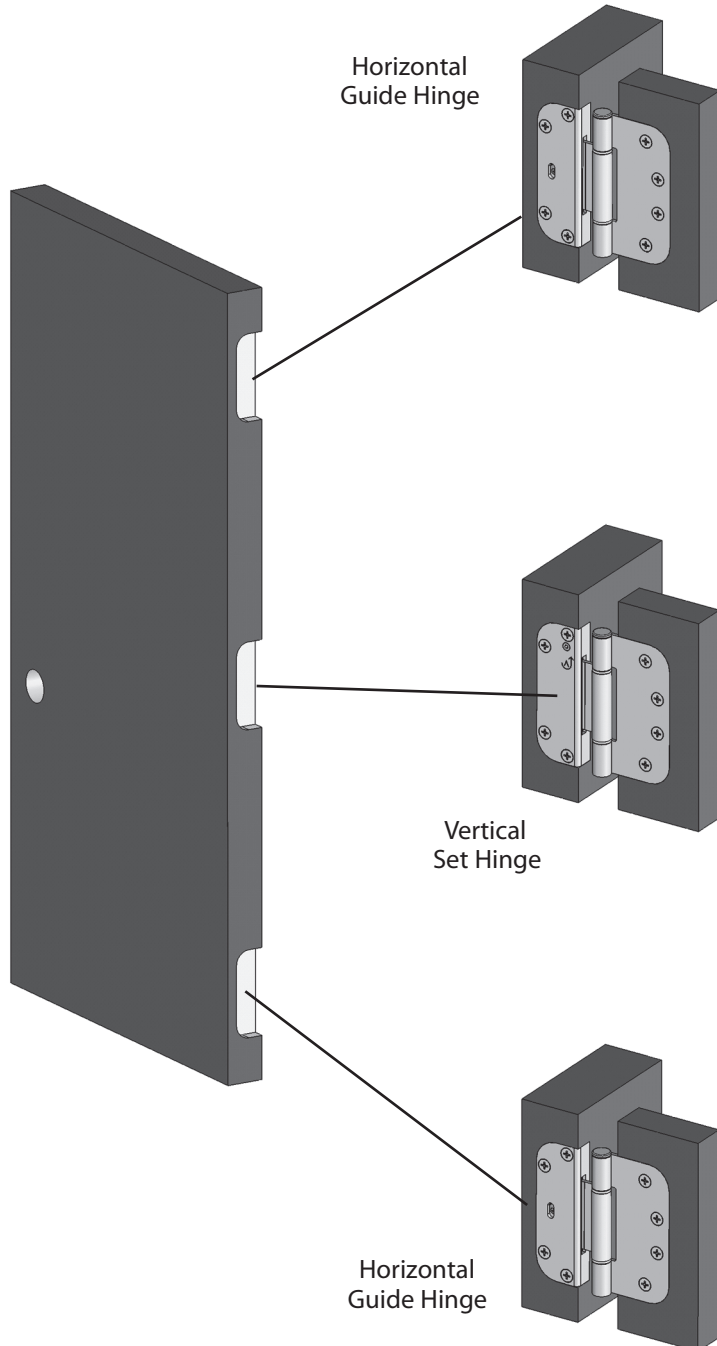


FIGURE 1. Hinge Adjustment - Horizontal and Vertical



NOTE: NEVER USE A POWERED SCREW DRIVER TO MAKE ADJUSTMENTS, ADJUST BY HAND ONLY.

HORIZONTAL AND VERTICAL HINGE ADJUSTMENT

The door is set up with two (2) horizontally (guide) adjustable hinges, and one (1) vertically (set) adjustable hinge per panel. The horizontal hinges are located in the top and bottom positions, and the vertical hinge is located in the middle position.

Adjustments are made with a 3/32" hex wrench. Never use a powered screw driver to make adjustments. Adjust by hand only.

VERTICAL ADJUSTMENT

To lift and lower the door

Vertical adjustment allows up to 1/4" total movement. Each rotation of the screw represents approximately a .008" travel for fine tune adjustment.

Step 1: Open door panel to access hinge adjustment screw.

Step 2: Loosen the adjustment screws on the top and bottom horizontal adjusting hinges to allow for easier vertical adjustment.

Step 3: Turn the hex drive in the middle (vertically adjusting) hinge either clockwise or counter-clockwise to raise or lower the door. The vertical hinge is marked with an arrow to indicate which direction the door will move when the hex drive is turned.

Step 4: Raise or lower panel accordingly to center the door panel in the opening.

HORIZONTAL ADJUSTMENT

To move the door closer to or away from the hinge side jamb

Horizontal adjustment allows up to 3/16" total movement, three (3) turns of screw.

Step 1: Open door panel to access hinge adjustment screw.

Step 2: Adjust top and/or bottom hinge hex screw to align reveal between door frame and panel.

Step 3: Counterclockwise will increase reveal, clockwise will decrease reveal. Gap should be equal along entire length between frame and panel.